



# Shenandoah

## 601-PT~619-PT

Our Shenandoah fixtures are a knowing blend of contemporary and traditional elements. The top finials and bottom balls are very colonial styled in nature, but the curved trim rings and sharp edged double layer spinnings are sleek and elegantly modern. So the fixtures have their place in a variety of auditoriums and sanctuaries. Solid brass fittings and straps are available in Satin, Antique, and Polished finishes. The lights may also be made of aluminum and then finished in a variety of Satin or Solid powder coats. LED and CFL interiors assure that this fixture can look old and work better than new.

### ~Shenandoah Series~

Chandelier:641-CHT~673-CHT

Pendant:601-PT~619-PT

Ceiling Mount:604-CT~619-CT

Wall Mount:601-WT~613-WT

S-Pendant:602-ST~615-ST

**Mounting:** Lightsmith fixtures mount to standard 4" octagon electrical boxes unless otherwise specified. All hardware and canopies supplied.

**Listing and Warranty:** Lightsmith fixtures are Underwriters Laboratories listed and carry a standard three year warranty against defects in materials and labor beginning at date of shipment.



## Fixture Specifications

6 -PT

FIXTURE NUMBER  
(Example: 601-PT)

DIFFUSER  
(Example: BGA-ECH)

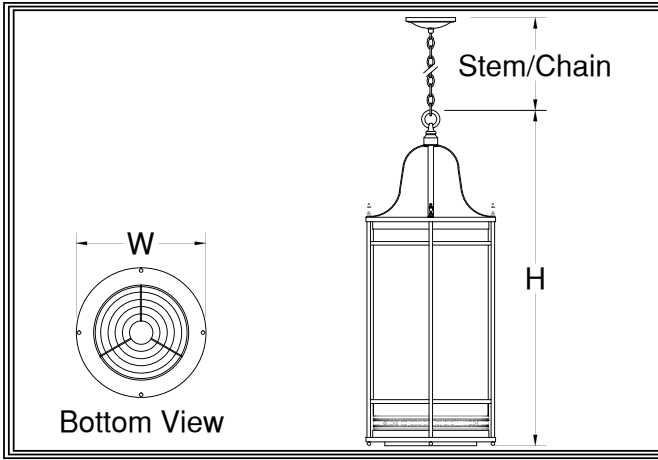
METAL FINISH  
(Example: ABB)

VOLTAGE  
 (120V)  
 (277V)  
 (347V)

STEM=S+Lgth  
(Example: S-96")  
CHAIN=C+Lgth  
(Example: C-96")  
NR=Not required

OPTIONS  
(Example: DIM,REM)

MODIFICATIONS  
(Example: Custom Paint)  
Use "Notes" Box At Top To Explain Modifications



6 -PT

Fixture Number

Job Type

Job Name

Notes~Modifications

	Fixture Number	Dimensions	Lamping	Weight	Stem/Chain	Options
LED	<input type="checkbox"/> 601-PT	12w x 20h	2-13wLLED	13 lbs	3' Std	DALI,REM,FUS**
	<input type="checkbox"/> 602-PT	14w x 26h	4-13wLLED/1-38wCLED	16 lbs	6' Std	L423,L623
	<input type="checkbox"/> 603-PT	14w x 32h	6-13wLLED/1-38wCLED	21 lbs	9' Std	L423,L623,L311
	<input type="checkbox"/> 604-PT	16w x 42h	12-13wLLED/1-52wCLED	25 lbs	9' Std	L623,L823,L611
	<input type="checkbox"/> 605-PT	18w x 54h	18-13wLLED/1-52wCLED	33 lbs	12' Std	L623,L823,L611
INCANDESCENT	<input type="checkbox"/> 610-PT	12w x 20h	1-150wA	10 lbs	3' Std	N250
	<input type="checkbox"/> 612-PT	14w x 26h	3-75wA/1-250wP38	13 lbs	6' Std	N300
	<input type="checkbox"/> 614-PT	14w x 32h	6-75wA/1-250wP38	18 lbs	9' Std	N300
	<input type="checkbox"/> 616-PT	16w x 42h	6-75wA/1-500wR40	22 lbs	9' Std	N500
	<input type="checkbox"/> 618-PT	18w x 54h	9-75wA/1-500wR40	30 lbs	12' Std	N500
FLUORESCENT	<input type="checkbox"/> 611-PT	12w x 20h	1-42wCFT	12 lbs	3' Std	DIM,IEM,REM,FUS*
	<input type="checkbox"/> 613-PT	14w x 26h	2-42wCFT/2-42wCFTdn	15 lbs	6' Std	L311
	<input type="checkbox"/> 615-PT	14w x 32h	4-42wCFT/2-42wCFTdn	20 lbs	9' Std	L311
	<input type="checkbox"/> 617-PT	16w x 42h	6-FT40w/4-42wCFTdn	24 lbs	9' Std	L611
	<input type="checkbox"/> 619-PT	18w x 54h	6-FT50w/4-42wCFTdn	32 lbs	12' Std	L611

~Two Circuits Standard Wiring~

\*All Fluorescent Fixtures  
\*\*All LED Fixtures

DIFFUSER	<input type="checkbox"/> BGA: Beige Alabaster Acrylic	<input type="checkbox"/> GRA: Green Edge Acrylic	<input type="checkbox"/> ECH: Etched*
	<input type="checkbox"/> NHA: Natural Horn Acrylic	<input type="checkbox"/> EGA: Earth Green Acrylic	*Etched option creates a matte, non-glossy finish on one side of the diffuser. (Example: WOA-ECH)
	<input type="checkbox"/> WHA: White Alabaster Acrylic	<input type="checkbox"/> DGA: Deep Gold Acrylic	
	<input type="checkbox"/> HNA: Honey Alabaster Acrylic	<input type="checkbox"/> SBA: Sea Blue Acrylic	
	<input type="checkbox"/> WOA: White Opal Acrylic	<input type="checkbox"/> PHA: Purple Haze Acrylic	

	SOLID BRASS FINISHES	PAINTED METAL FINISHES	ALUMINUM FINISHES	STAINLESS STEEL FINISHES
METAL FINISH	<input type="checkbox"/> ABB: Antique Brass	<input type="checkbox"/> DGP: Dark Green	<input type="checkbox"/> SAA: Satin Aluminum	<input type="checkbox"/> SSS: Satin
	<input type="checkbox"/> SBB: Satin Brass	<input type="checkbox"/> VGP: Verde Green	<input type="checkbox"/> SNA: Satin Nickel	<input type="checkbox"/> DSS: Distressed
	<input type="checkbox"/> PBB: Polished Brass	<input type="checkbox"/> CGP: Charcoal Gray	<input type="checkbox"/> PAA: Polished Aluminum	<input type="checkbox"/> PSS: Polished
	<input type="checkbox"/> ANB: Antique Nickel	<input type="checkbox"/> MBP: Medium Bronze	<input type="checkbox"/> BBA: Burnished Bronze	<input type="checkbox"/> HSS: Hammered
	<input type="checkbox"/> SNB: Satin Nickel	<input type="checkbox"/> SBP: Satin Black	<input type="checkbox"/> RNA: Red Naval Bronze	<input type="checkbox"/>
	<input type="checkbox"/> PNB: Polished Nickel	<input type="checkbox"/> DBP: Dark Bronze	<input type="checkbox"/> SGA: Satin Gold	<input type="checkbox"/>
	<input type="checkbox"/> AZB: Antique Bronze	<input type="checkbox"/> LBP: Light Bronze	<input type="checkbox"/> SBA: Satin Bronze	<input type="checkbox"/>
	<input type="checkbox"/> SZB: Satin Bronze	<input type="checkbox"/> MGP: Medium Gold	<input type="checkbox"/> ORA: Oil Rubbed Bronze	<input type="checkbox"/>
	<input type="checkbox"/> PZB: Polished Bronze	<input type="checkbox"/> SCP: Sponged Copper	<input type="checkbox"/> SCA: Satin Copper	<input type="checkbox"/>
	<input type="checkbox"/> CSB: Custom Brass*	<input type="checkbox"/> CSP: Custom Paint*	<input type="checkbox"/> CSA: Custom Aluminum*	<input type="checkbox"/>
	<input type="checkbox"/>			<input type="checkbox"/> CSS: Custom SS*
	<input type="checkbox"/>			<input type="checkbox"/>
	<input type="checkbox"/>			<input type="checkbox"/>
	<input type="checkbox"/>			<input type="checkbox"/>

OPTIONS	<input type="checkbox"/> N250: 250wPar38 Downlight	<input type="checkbox"/> L311: 3-11wCLED Uplight	<input type="checkbox"/> FUS: Fusing
	<input type="checkbox"/> N300: 300wPar56 Downlight	<input type="checkbox"/> L611: 6-11wCLED Uplight	<input type="checkbox"/> IEM: Integral Emer.Ballast
	<input type="checkbox"/> N500: 500wPar56 Downlight	<input type="checkbox"/> L423: 4-23wCLED Downlight	<input type="checkbox"/> DALI: Dali dimming LED
	<input type="checkbox"/> DIM: Dimming Ballast	<input type="checkbox"/> L623: 6-23wCLED Downlight	<input type="checkbox"/>
	<input type="checkbox"/> REM: Remote Emer.Ballast	<input type="checkbox"/> L823: 8-23wCLED Downlight	<input type="checkbox"/>
	<input type="checkbox"/>		<input type="checkbox"/>
	<input type="checkbox"/>		<input type="checkbox"/>
	<input type="checkbox"/>		<input type="checkbox"/>