



# Amelon

## 1001-PT~1049-PT

Our Amelon fixtures have more decorative brass filigree per square inch than any other fixture we build here in the Lightsmith studios. They are entirely decorative with heavily embossed rope and acanthus leaf bandings. And they feature a very functional downlight for that room that really needs the punch of an architectural bottom flood. We make the acrylic bowls here in the shop...one at a time. And we hand wrap every light with banding...a lot of banding. Look at our finish and lamping options before ordering. Many colors and powerful light sources are available.

### ~Amelon Series~

Chandelier: 1041-CHT~1073-CHT

Pendant: 1001-PT~1049-PT

Ceiling Mount: 1001-CT~1025-CT

Wall Mount: 1001-WT~1031-WT

S-Pendant: 1001-ST~1025-ST

**Mounting:** Lightsmith fixtures mount to standard 4" octagon electrical boxes unless otherwise specified. All hardware and canopies supplied.

**Listing and Warranty:** Lightsmith fixtures are Underwriters Laboratories listed and carry a standard three year warranty against defects in materials and labor beginning at date of shipment.



## Fixture Specifications

10 -PT

FIXTURE NUMBER  
(Example: 1001-PT)

DIFFUSER  
(Example: BGA-ECH)

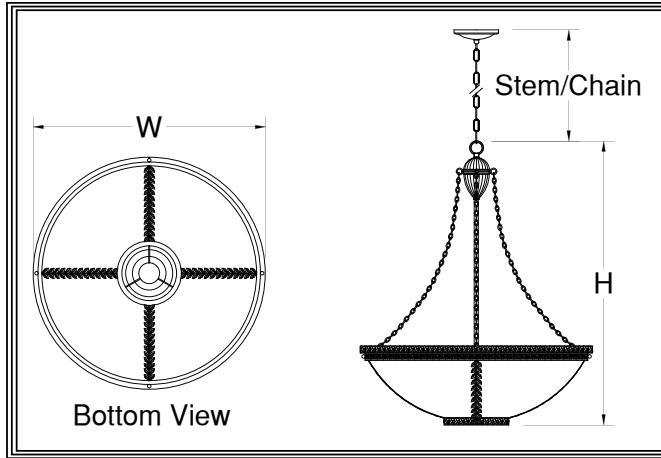
METAL FINISH  
(Example: ABB)

VOLTAGE  
 (120V)  
 (277V)  
 (347V)

STEM=S+Lgth  
(Example: S-96")  
CHAIN=C+Lgth  
(Example: C-96")  
NR=Not required

OPTIONS  
(Example: DIM,REM)

MODIFICATIONS  
(Example: Custom Paint\*)  
Use "Notes" Box At Top To Explain Modifications



10 PT

Fixture Number

Job Type

Job Name

Notes~Modifications

	Fixture Number	Dimensions	Lamping	Weight	Stem/Chain	Options
LED	<input type="checkbox"/> 1001-PT	16w x 24h	4-13wCLED	15 lbs	3' Std	DALI,REM,FUS**
	<input type="checkbox"/> 1002-PT	24w x 32h	6-13wCLED/1-38wCLED	17 lbs	6' Std	L423,L623
	<input type="checkbox"/> 1003-PT	30w x 38h	4-23wCLED/1-38wCLED	19 lbs	9' Std	L423,L623,L311
	<input type="checkbox"/> 1004-PT	36w x 44h	4-38wCLED/1-52wCLED	21 lbs	9' Std	L623,L823,L611
	<input type="checkbox"/> 1005-PT	48w x 56h	6-52wCLED/1-52wCLED	29 lbs	12' Std	L623,L823,L611
INCANDESCENT	<input type="checkbox"/> 1016-PT	16w x 24h	1-150wA	12 lbs	3' Std	N250
	<input type="checkbox"/> 1024-PT	24w x 32h	3-75wA/1-250wP38	14 lbs	6' Std	N300
	<input type="checkbox"/> 1030-PT	30w x 38h	6-75wA/1-250wP38	16 lbs	9' Std	N300
	<input type="checkbox"/> 1036-PT	36w x 44h	6-75wA/1-500wR40	18 lbs	9' Std	N500
	<input type="checkbox"/> 1048-PT	48w x 56h	9-75wA/1-500wR40	26 lbs	12' Std	N500
FLUORESCENT	<input type="checkbox"/> 1017-PT	16w x 24h	1-42wCFT	14 lbs	3' Std	DIM,IEM,FUS*
	<input type="checkbox"/> 1025-PT	24w x 32h	2-42wCFT/2-42wCFTdn	16 lbs	6' Std	L311
	<input type="checkbox"/> 1031-PT	30w x 38h	4-42wCFT/2-42wCFTdn	18 lbs	9' Std	L311
	<input type="checkbox"/> 1037-PT	36w x 44h	6-42wCFT/4-42wCFTdn	20 lbs	9' Std	L611
	<input type="checkbox"/> 1049-PT	48w x 56h	8-42wCFT/4-42wCFTdn	28 lbs	12' Std	L611

\*All Fluorescent Fixtures  
\*\*All LED Fixtures

DIFFUSER	<input type="checkbox"/> BGA: Beige Alabaster Acrylic	<input type="checkbox"/> GRA: Green Edge Acrylic	<input type="checkbox"/> ECH: Etched*
	<input type="checkbox"/> NHA: Natural Horn Acrylic	<input type="checkbox"/> EGA: Earth Green Acrylic	*Etched option creates a matte, non-glossy finish on one side of the diffuser. (Example: WOA-ECH)
	<input type="checkbox"/> WHA: White Alabaster Acrylic	<input type="checkbox"/> DGA: Deep Gold Acrylic	
	<input type="checkbox"/> HNA: Honey Alabaster Acrylic	<input type="checkbox"/> SBA: Sea Blue Acrylic	
	<input type="checkbox"/> WOA: White Opal Acrylic	<input type="checkbox"/> PHA: Purple Haze Acrylic	

	SOLID BRASS FINISHES	PAINTED METAL FINISHES	ALUMINUM FINISHES	STAINLESS STEEL FINISHES
METAL FINISH	<input type="checkbox"/> ABB: Antique Brass	<input type="checkbox"/> DGP: Dark Green	<input type="checkbox"/> SAA: Satin Aluminum	<input type="checkbox"/> NA
	<input type="checkbox"/> SBB: Satin Brass	<input type="checkbox"/> VGP: Verde Green	<input type="checkbox"/> SNA: Satin Nickel	<input type="checkbox"/>
	<input type="checkbox"/> PBB: Polished Brass	<input type="checkbox"/> CGP: Charcoal Gray	<input type="checkbox"/> PAA: Polished Aluminum	<input type="checkbox"/>
	<input type="checkbox"/> ANB: Antique Nickel	<input type="checkbox"/> MBP: Medium Bronze	<input type="checkbox"/> BBA: Burnished Bronze	<input type="checkbox"/>
	<input type="checkbox"/> SNB: Satin Nickel	<input type="checkbox"/> SBP: Satin Black	<input type="checkbox"/> RNA: Red Naval Bronze	<input type="checkbox"/>
	<input type="checkbox"/> PNB: Polished Nickel	<input type="checkbox"/> DBP: Dark Bronze	<input type="checkbox"/> SGA: Satin Gold	<input type="checkbox"/>
	<input type="checkbox"/> AZB: Antique Bronze	<input type="checkbox"/> LBP: Light Bronze	<input type="checkbox"/> SBA: Satin Bronze	<input type="checkbox"/>
	<input type="checkbox"/> SZB: Satin Bronze	<input type="checkbox"/> MGP: Medium Gold	<input type="checkbox"/> ORA: Oil Rubbed Bronze	<input type="checkbox"/>
	<input type="checkbox"/> PZB: Polished Bronze	<input type="checkbox"/> SCP: Sponged Copper	<input type="checkbox"/> SCA: Satin Copper	<input type="checkbox"/>
	<input type="checkbox"/> CSB: Custom Brass*	<input type="checkbox"/> CSP: Custom Paint*	<input type="checkbox"/> CSA: Custom Aluminum*	<input type="checkbox"/>

OPTIONS	<input type="checkbox"/> N250: 250wPar38 Downlight	<input type="checkbox"/> L311: 3-11wCLED Uplight	<input type="checkbox"/> FUS: Fusing
	<input type="checkbox"/> N300: 300wPar56 Downlight	<input type="checkbox"/> L611: 6-11wCLED Uplight	<input type="checkbox"/> IEM: Integral Emer.Ballast
	<input type="checkbox"/> N500: 500wPar56 Downlight	<input type="checkbox"/> L423: 4-23wCLED Downlight	<input type="checkbox"/> DALI: Dali dimming LED
	<input type="checkbox"/> DIM: Dimming Ballast	<input type="checkbox"/> L623: 6-23wCLED Downlight	<input type="checkbox"/>
	<input type="checkbox"/> REM: Remote Emer.Ballast	<input type="checkbox"/> L823: 8-23wCLED Downlight	<input type="checkbox"/>