



**Nevdin**

**PD-2600~PD-2631**

Our Nevdin pendants and sconces are simple bowl fixtures with wonderful lamping and size options. All fixtures in the series feature a heavy seamless metal spinning supporting a smooth acrylic bowl. The pendants also feature gracefully cascading chain motifs from the central stem down to the bowl support spinning. In the chandelier version the chains are actually structural support for the bowls at end of arms. Nevdin comes in a variety of metal finishes and acrylic types. We show Satin Bronze (SBA) in the photo, but white acrylic and Satin Nickel are most popular in this type.

**~Nevdin Series~**

- Chandelier: CH-2600~CH-2611
- Pendant: PD-2600~PD-2631**
- Ceiling Mount: CL-2600~CL-2608
- Wall Mount: SC-2600~SC-2611
- Bollard: BL-2600~BL-2611

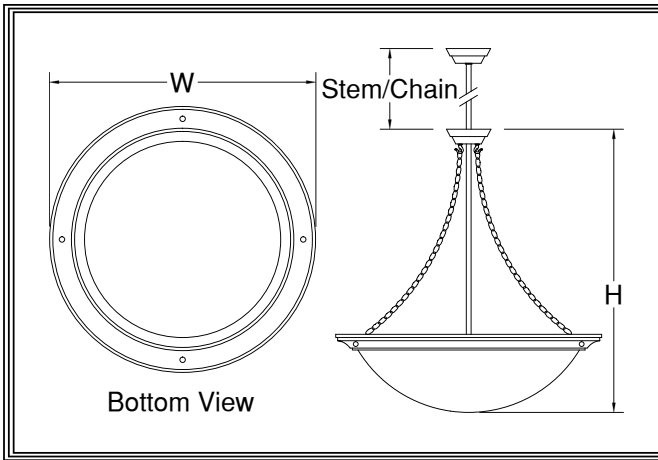
**Mounting:** Lightsmith fixtures mount to standard 4" octagon electrical boxes unless otherwise specified. All hardware and canopies supplied.

**Listing and Warranty:** Lightsmith fixtures are Underwriters Laboratories listed and carry a standard three year warranty against defects in materials and labor beginning at date of shipment.



**Fixture Specifications**

**PD-26** ~ **DIFFUSER** (Example: BGA-ECH) ~ **METAL FINISH** (Example: ABB) ~ **VOLTAGE** (120V, 277V, 347V) ~ **STEM=**S+Lgth (Example: S-96") **CHAIN=**C+Lgth (Example: C-96") **NR=**Not required ~ **OPTIONS** (Example: DIM, REM) ~ **MODIFICATIONS** (Example: Custom Paint\*) Use "Notes" Box At Top To Explain Modifications



**PD-26** \_\_\_\_\_

Fixture Number      Job Type

\_\_\_\_\_

Job Name

\_\_\_\_\_

Notes~Modifications

	Fixture Number	Dimensions	Lamping	Weight	Stem/Chain	Options
LED	<input type="checkbox"/> PD-2609	20w x 24h	4-13wCLED	23 lbs	3' Std	DALI,IEM,TPL,FUS**
	<input type="checkbox"/> PD-2610	24w x 30h	6-13wCLED	28 lbs	6' Std	L423,L623
	<input type="checkbox"/> PD-2611	32w x 36h	4-23wCLED	35 lbs	9' Std	L423,L623,L311
	<input type="checkbox"/> PD-2612	36w x 42h	4-38wCLED	40 lbs	9' Std	L623,L823,L611
	<input type="checkbox"/> PD-2613	44w x 54h	6-52wCLED	50 lbs	12' Std	L623,L823,L611
INCANDESCENT	<input type="checkbox"/> PD-2620	20w x 24h	3-100wA	18 lbs	3' Std	N250
	<input type="checkbox"/> PD-2600	24w x 30h	3-150wA	22 lbs	6' Std	N300
	<input type="checkbox"/> PD-2621	32w x 36h	6-100wA	28 lbs	9' Std	N300
	<input type="checkbox"/> PD-2601	36w x 42h	6-150wA	34 lbs	9' Std	N500
	<input type="checkbox"/> PD-2602	44w x 54h	12-150wA	44 lbs	12' Std	N500
FLUORESCENT	<input type="checkbox"/> PD-2630	20w x 24h	2-42wCFT	20 lbs	3' Std	DIM,IEM,TPL,FUS*
	<input type="checkbox"/> PD-2603	24w x 30h	4-42wCFT	25 lbs	6' Std	F242
	<input type="checkbox"/> PD-2631	32w x 36h	6-42wCFT	32 lbs	9' Std	F242
	<input type="checkbox"/> PD-2604	36w x 42h	6-FT40w	37 lbs	9' Std	F442
	<input type="checkbox"/> PD-2605	44w x 54h	8-FT50w	47 lbs	12' Std	F442

~Single Circuit Standard Wiring~

\*All Fluorescent Fixtures  
\*\*All LED Fixtures

DIFFUSER	DIFFUSER	DIFFUSER
<input type="checkbox"/> BGA: Beige Alabaster Acrylic	<input type="checkbox"/> GRA: Green Edge Acrylic	<input type="checkbox"/> ECH: Etched*
<input type="checkbox"/> NHA: Natural Horn Acrylic	<input type="checkbox"/> EGA: Earth Green Acrylic	*Etched option creates a matte, non-glossy finish on one side of the diffuser. (Example: WOA-ECH)
<input type="checkbox"/> WHA: White Alabaster Acrylic	<input type="checkbox"/> DGA: Deep Gold Acrylic	
<input type="checkbox"/> HNA: Honey Alabaster Acrylic	<input type="checkbox"/> SBA: Sea Blue Acrylic	
<input type="checkbox"/> WOA: White Opal Acrylic	<input type="checkbox"/> PHA: Purple Haze Acrylic	

METAL FINISH	SOLID BRASS FINISHES	PAINTED METAL FINISHES	ALUMINUM FINISHES	STAINLESS STEEL FINISHES
<input type="checkbox"/> ABB: Antique Brass	<input type="checkbox"/> DGP: Dark Green	<input type="checkbox"/> SAA: Satin Aluminum	<input type="checkbox"/> SSS: Satin	
<input type="checkbox"/> SBB: Satin Brass	<input type="checkbox"/> VGP: Verde Green	<input type="checkbox"/> SNA: Satin Nickel	<input type="checkbox"/> DSS: Distressed	
<input type="checkbox"/> PBB: Polished Brass	<input type="checkbox"/> CGP: Charcoal Gray	<input type="checkbox"/> PAA: Polished Aluminum	<input type="checkbox"/> PSS: Polished	
<input type="checkbox"/> ANB: Antique Nickel	<input type="checkbox"/> MBP: Medium Bronze	<input type="checkbox"/> BBA: Burnished Bronze	<input type="checkbox"/> HSS: Hammered	
<input type="checkbox"/> SNB: Satin Nickel	<input type="checkbox"/> SBP: Satin Black	<input type="checkbox"/> RNA: Red Naval Bronze	<input type="checkbox"/>	
<input type="checkbox"/> PNB: Polished Nickel	<input type="checkbox"/> DBP: Dark Bronze	<input type="checkbox"/> SGA: Satin Gold	<input type="checkbox"/>	
<input type="checkbox"/> AZB: Antique Bronze	<input type="checkbox"/> LBP: Light Bronze	<input type="checkbox"/> SBA: Satin Bronze	<input type="checkbox"/>	
<input type="checkbox"/> SZB: Satin Bronze	<input type="checkbox"/> MGP: Medium Gold	<input type="checkbox"/> ORA: Oil Rubbed Bronze	<input type="checkbox"/>	
<input type="checkbox"/> PZB: Polished Bronze	<input type="checkbox"/> SCP: Sponged Copper	<input type="checkbox"/> SCA: Satin Copper	<input type="checkbox"/>	
<input type="checkbox"/> CSB: Custom Brass*	<input type="checkbox"/> CSP: Custom Paint*	<input type="checkbox"/> CSA: Custom Aluminum*	<input type="checkbox"/> CSS: Custom SS*	

OPTIONS	OPTIONS	OPTIONS
<input type="checkbox"/> N250: 250wPar38 Downlight	<input type="checkbox"/> L311: 3-11wCLED Uplight	<input type="checkbox"/> FUS: Fusing
<input type="checkbox"/> N300: 300wPar56 Downlight	<input type="checkbox"/> L611: 6-11wCLED Uplight	<input type="checkbox"/> IEM: Integral Emer.Ballast
<input type="checkbox"/> N500: 500wPar56 Downlight	<input type="checkbox"/> L423: 4-23wCLED Downlight	<input type="checkbox"/> DALI: Dali dimming LED
<input type="checkbox"/> DIM: Dimming Ballast	<input type="checkbox"/> L623: 6-23wCLED Downlight	<input type="checkbox"/> F242: 2-42wCFT Downlight
<input type="checkbox"/> TPL: Top Lens	<input type="checkbox"/> L823: 8-23wCLED Downlight	<input type="checkbox"/> F442: 4-42wCFT Downlight